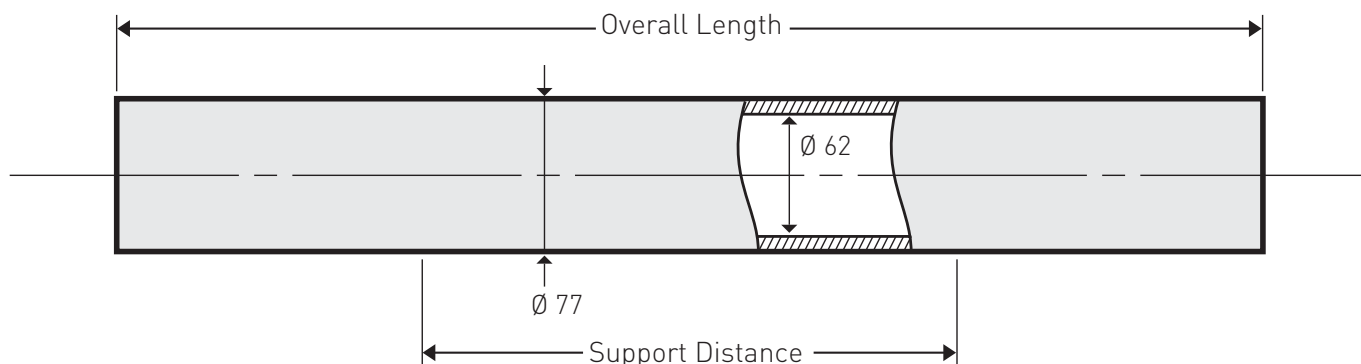


2.5" End Port Pressure Vessel 1000 psi (69.0 bar)

ORDER REFERENCE
See Box Below



Working Pressure: 1000 psi

Working Temperature: -7° to 45°C

Assembly Drawing: 1MNC 1503

Does not conform to ASME X

Body of vessel is manufactured completely from glass reinforced epoxy resins. Pressure vessels can be produced to cover all leading manufacturers membranes regardless of length. Please advise membrane type and length when requesting further details. Please adhere to recommended support positions, if in doubt contact Phoenix Vessel Technology.

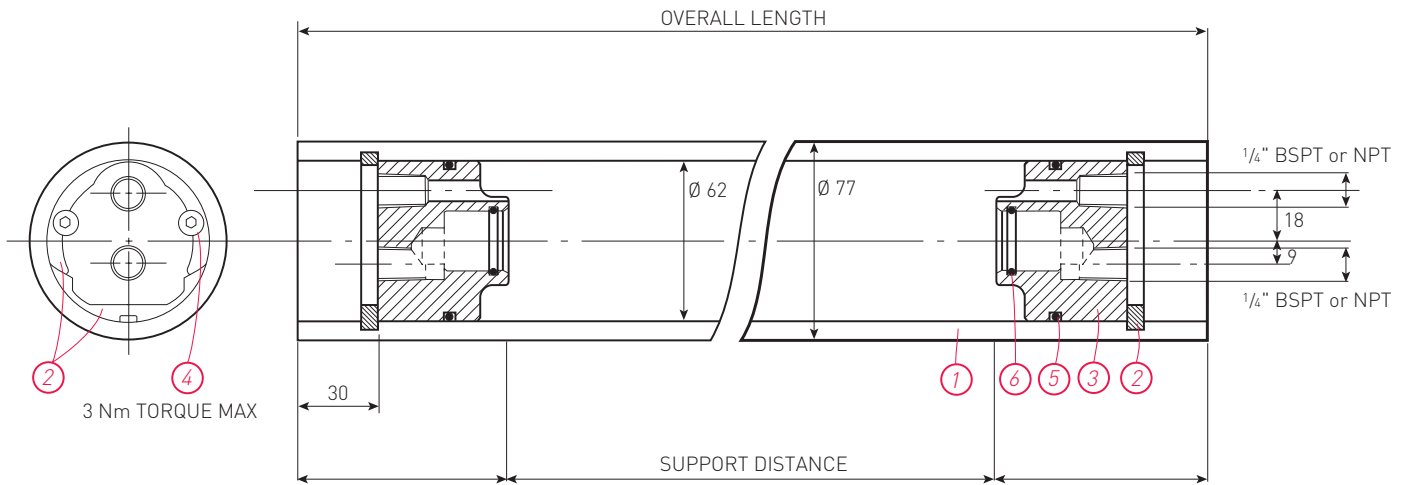
Feed and concentrate connections: 1/4" BSPT (Female).

Product connections: 1/4" BSPT (Female)

Order Reference	Membrane Length	Overall Length +/-2mm	Max Support Position	Min Support Position	Max Dry Weight
2.5E1000N.(14)	14"	473	1400	100	2.1 kg
2.5E1000N.(21)	21"	651	1890	200	2.8 kg
2.5E1000N.(40)	40"	1133	3375	400	4.6 kg
2.5E1000N.(40x2)	40" x 2	2149	6170 c	860	8.3 kg

2.5" End Port Pressure Vessel 1000 psi (69.0 bar)

ORDER REFERENCE
See Overleaf



Item	Description	Material	Part No.	No. off
1	Vessel Body	Glass Fibre Epoxy Resin	BDY 1438	1
2	Retaining Ring Segment	St. Steel 316	CMP 1537	2 Sets
3	End Cap	Thermoplastic	BSPT CMP 1536	2
			NPT CMP 1789	2
4	Cap Head Screw	St. Steel Grade A4	M6 x 1.0 x 16 L	4
5	O' Seal (End Cap)	EPDM	CMP 1470	2
6	O' Seal (End Cap)	EPDM	BS210	2

The company reserves the right to alter specifications without prior notice.

Tighten all bolts/nuts to 50% of the maximum torque figure.

DO NOT EXCEED THE MAXIMUM TORQUE.

For lubricants and general assembly refer to the [User Guide on our website](#).

This data sheet supersedes all previous issues.

Product Code: 2.5E1000N 09/06