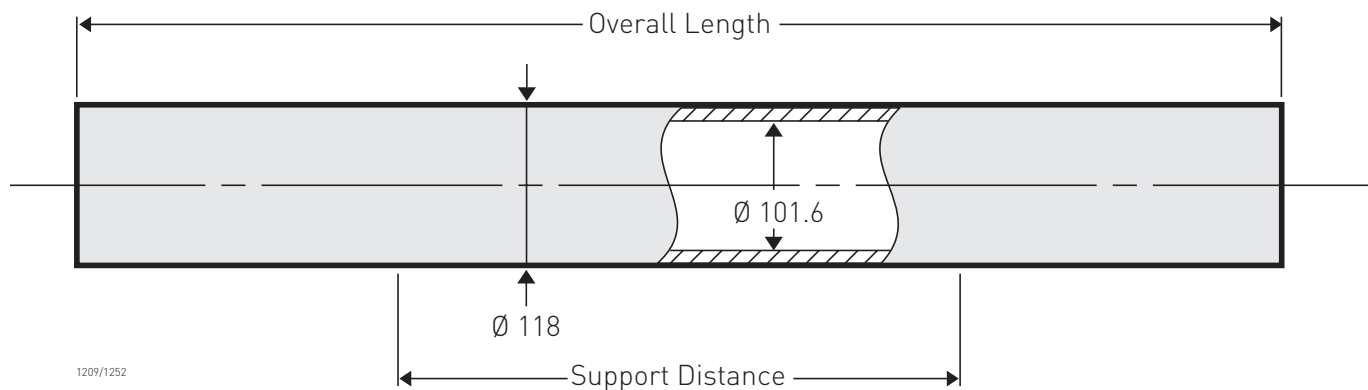


4" End Port Pressure Vessel 400 psi (27.6 bar)

ORDER REFERENCE
See Box Below



Working Pressure: 400 psi

Working Temperature: -7° to 45°C

Assembly Drawing: 1MNC 1209

Does not conform to ASME X

Body of vessel is manufactured completely from glass reinforced epoxy resins. Pressure vessels can be produced to cover all leading manufacturers membranes regardless of length. Please advise membrane type and length when requesting further details. Please adhere to recommended support positions, if in doubt contact Phoenix Vessel Technology.

Feed and concentrate connections: 1/2" BSPT (Female)

Product connections: 3/8" BSPT (Male)

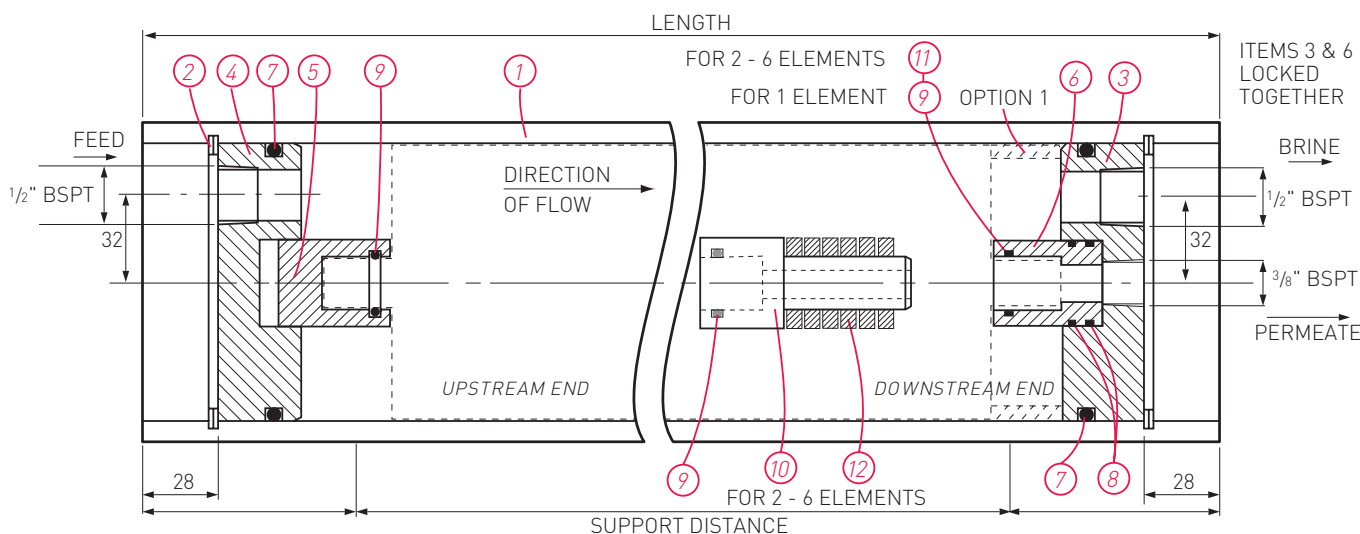
Order Reference	No of 40" Elements	Overall Length +/-1mm	Max Support Position	Support Position	Max Dry Weight
4E400N.(14)	14"	483	300	200	5 kg
4E400N.(21)	21"	660	450	200	6 kg
4E400N.1	1	1143	800	200	8 kg
4E400N.2	2	2210	1810	620	14 kg
4E400N.3	3	3226	2270	1640	19 kg
4E400N.4	4	4242	2660	2660	25 kg
4E400N.4.5	4.5	4750	2980	2980	28 kg
4E400N.5	5	5258	4250 c	3670 c	31 kg
4E400N.6	6	6274	4650 c	4650 c	36 kg
4E400N.7	7	7290	5400 c	5400 c	41 kg

All dimensions in mm.
All dimensions and weights are nominal unless stated otherwise.

This data sheet supersedes all previous issues.
Product Code: 8E450N 09/06

4" End Port Pressure Vessel 400 psi (27.6 bar)

ORDER REFERENCE
See Overleaf



- OPTIONS:**
1. Thrust Ring
 2. End Caps tapped centre ports both ends.
 3. BSP Parallel or NPT

Item	Description	Material	Part No.	No. off
1	Vessel Body	Glass Fibre Epoxy Resin	BDY 1240	1
2	Circlip Ring	St. Steel	CMP 1241	2
3	End Plate A	Thermoplastic	BSPT 1261 BSP1263 NPT1236	1
4	End Plate B	Thermoplastic	BSPT 1261 BSP1263 NPT1236	1
5	Plug	Thermoplastic	To suit membrane	2
6	Adaptor	Thermoplastic	To suit membrane	2
7	'O' Seal Endcap	EPDM	BS342	2
8	'O' Seal Adaptor	EPDM	BS121	2
9	'O' Seal Membrane	EPDM	To suit membrane	2
10	Adaptor	Thermoplastic	To suit membrane	2
11	'O' Seal	EPDM	BS209	2
12	Shims	Thermoplastic	CMP 1728	6
	Strap	St. Steel/Neoprene	CMP 1115	2/3
	Saddle	Urethane/EPDM	CMP 1534	2/3
	Option 1 Thrust Ring	Thermoplastic	To suit membrane	1

The company reserves the right to alter specifications without prior notice.
This data sheet supersedes all previous issues. Product Code: 8E450N 09/06

Tighten all bolts/nuts to 50% of the maximum torque figure.
DO NOT EXCEED THE MAXIMUM TORQUE.

For lubricants and general assembly refer to the [User Guide on our website](#).

