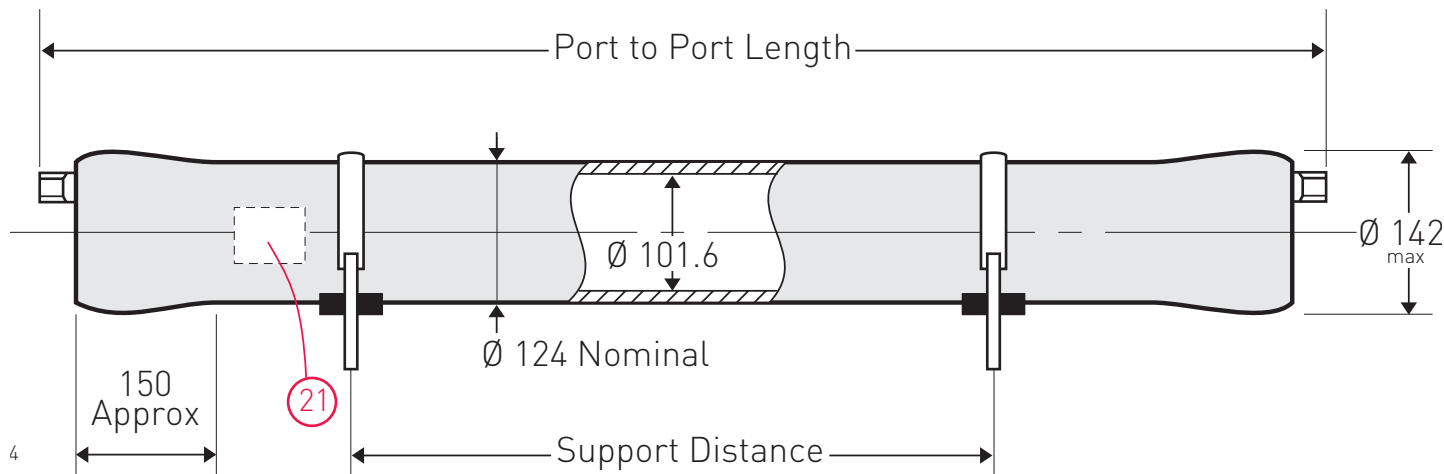


**4" End Port Pressure Vessel 1000 psi (69.0 bar)**

**ORDER REFERENCE**  
See Box Below



**Working Pressure:** 1000 psi

**Working Temperature:** -7° to 45°C

**Assembly Drawing:** 1MNC 1384

**Design Code:** ASME X

Body of vessel is manufactured completely from glass reinforced epoxy resins. Pressure vessels can be produced to cover all leading manufacturers membranes regardless of length. Please advise membrane type and length when requesting further details. Please adhere to recommended support positions, if in doubt contact Phoenix Vessel Technology.

**Feed and concentrate connections:** 3/4" BSP or NPT. **Product connections:** 1/2" BSP Parallel (Male) or 3/8" NPT (Female)

Order Reference	No of 40" Elements	Port to Port Length +/-7mm	Max Support Position	Min Support Position	Max Dry Weight
4E1000X.(14)	14"	635	360	150	9.5 kg
4E1000X.(21)	21"	814	540	150	11 kg
4E1000X.1	1	1295	800	200	15 kg
4E1000X.2	2	2413	1810	620	24 kg
4E1000X.3	3	3429	2450	1310	33 kg
4E1000X.4	4	4445	2820	2280	41 kg
4E1000X.5	5	5461	4650 c	3320 c	49 kg
4E1000X.6	6	6477	5010 c	4340 c	57 kg
4E1000X.7	7	7747	5340 c	5340 c	65 kg

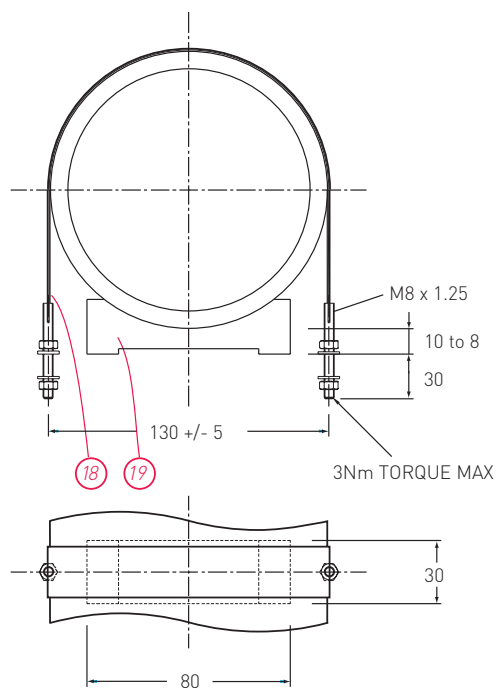
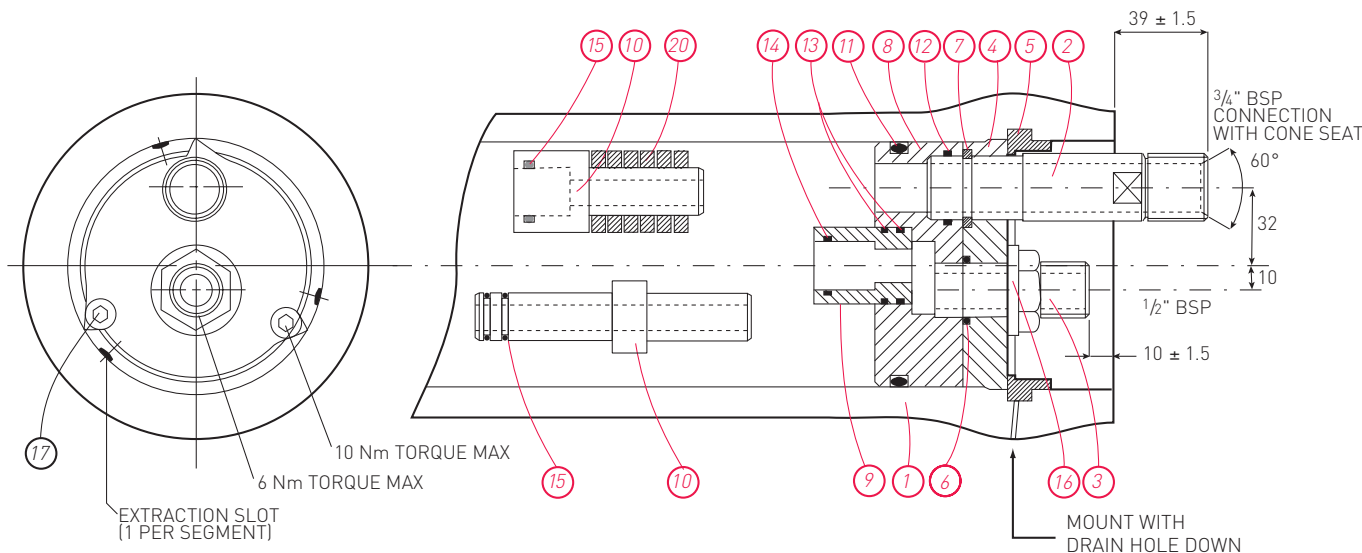
All dimensions in mm. c = Central support required.  
All dimensions and weights are nominal unless stated otherwise.

This data sheet supersedes all previous issues.  
Product Code: 4E1000X 09/06

### 4" End Port Pressure Vessel 1000 psi (69.0 bar)

**ORDER REFERENCE**

See Overleaf



Item	Description	Material	Part No.	No. off
1	Vessel Body	Glass Fibre Epoxy Resin	BDY 1417	1
2	Feed/Concentrate Port	Duplex Stainless Steel - 2507	CMP 1418	2
3	Product Port	Thermoplastic	CMP 2268	2
4	Backing Plate	St. Steel 316	CMP 1654	2
5	Retaining Ring Segment	St. Steel 316	CMP 1104	6
6	'O' Seal Product Port	EPDM	BS215	2
7	Retaining Ring (Feed Port)	St. Steel 316	CMP 1299	2
8	End Plate	Thermoplastic	CMP 1422/1587	2
9	Hub	Thermoplastic	To suit membrane	2
10	Adaptor (2-7 element only)	Thermoplastic	To suit membrane	2
11	'O' Seal Endplate	EPDM	BS342	2
12	'O' Seal Feed Port	EPDM	BS120	2
13	'O' Seal (Endplate/Hub)	EPDM	BS121	4
14	'O' Seal (Hub/Membrane)	EPDM	To suit membrane	2/4
15	'O' Seal (Adaptor)	EPDM	To suit membrane	2/4
16	Backnut 1/2" BSP	Thermoplastic	CMP 1423	2
17	Cap Head Screw	St. Steel A4 Grade	CMP 1077	4
18	Strap	St. Steel/Neoprene	CMP 1534	2/3
19	Saddle	Urethane	CMP 1115	2/3
20	Shim Set	Thermoplastic	CMP 1728	6
21	Nameplate	Aluminium or Vinyl	Not Available	1

Tighten all bolts/nuts to 50% of the maximum torque figure.

**DO NOT EXCEED THE MAXIMUM TORQUE.**

For lubricants and general assembly refer to the [User Guide on our website](#).

The company reserves the right to alter specifications without prior notice.  
This data sheet supersedes all previous issues. Product Code: 4E1000X 09/06