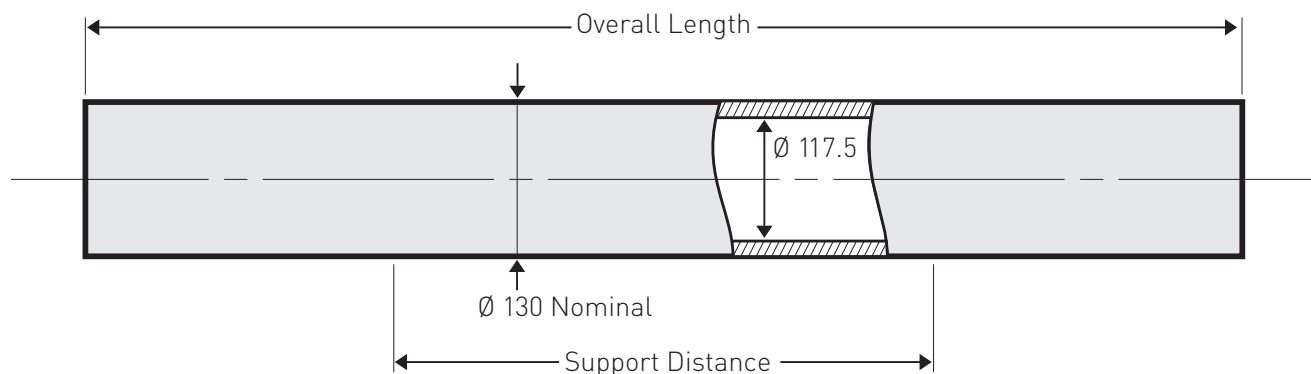


4.625" End Port Pressure Vessel 250 psi (17.2 bar)

ORDER REFERENCE
See Box Below



Working Pressure: 250 psi

Working Temperature: -7° to 45°C

Assembly Drawing: 1MNC 1257

Does not conform to ASME X

Body of vessel is manufactured completely from glass reinforced epoxy resins. Pressure vessels can be produced to cover all leading manufacturers membranes regardless of length. Please advise membrane type and length when requesting further details. Please adhere to recommended support positions, if in doubt contact Phoenix Vessel Technology.

Feed connections: 1/2" BSPT (Female) **Concentrate connections:** 1/4" BSPT (Female).

Product connections: 3/8" BSPT (Female)

Order Reference	Element Length "	Overall Length +/-2mm	Max Support Position	Min Support Position	Max Dry Weight*
4.6E250N.11	11"	425	300	200	3.2 kg
4.6E250N.19	19"	625	500	200	4.2 kg
4.6E250N.41	41"	1184	800	200	7.0 kg
4.6E250N.41/2	41" x 2	2225	1550	400	12.2 kg

All dimensions in mm.

All dimensions and weights are nominal unless stated otherwise.

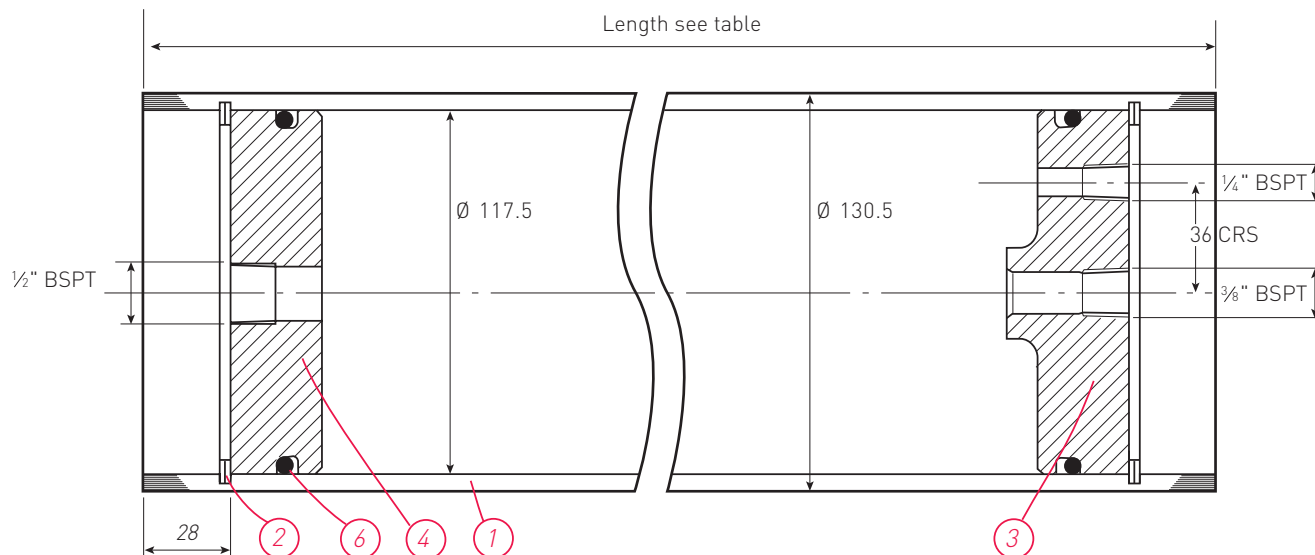
c = Central support required.

* Includes end fittings.

4.625" End Port Pressure Vessel 250 psi (17.2 bar)

ORDER REFERENCE

See Overleaf



NOTES

1. Glycerine to be used on all 'O' seal paths.

Item	Description	Material	Part No.	No. off
1	Vessel Body	Glass Fibre Epoxy Resin	BDY 1343	1
2	Circlip	St. Steel	CMP 1346	2
3	End Cap A	Thermoplastic	CMP 1344	1
4	End Cap B	Thermoplastic	CMP 1345	1
5				
6	'O' Seal (End Cap)	EPDM	BS347	2
7				
	O' Seal (Adpt/Element)	EPDM	BS012	
	Adaptor	Thermoplastic	CMP 1766	

The company reserves the right to alter specifications without prior notice.

Tighten all bolts/nuts to 50% of the maximum torque figure.

DO NOT EXCEED THE MAXIMUM TORQUE.

For lubricants and general assembly refer to the [User Guide on our website](#).

This data sheet supersedes all previous issues.

Product Code: 4.6E250N 09/06