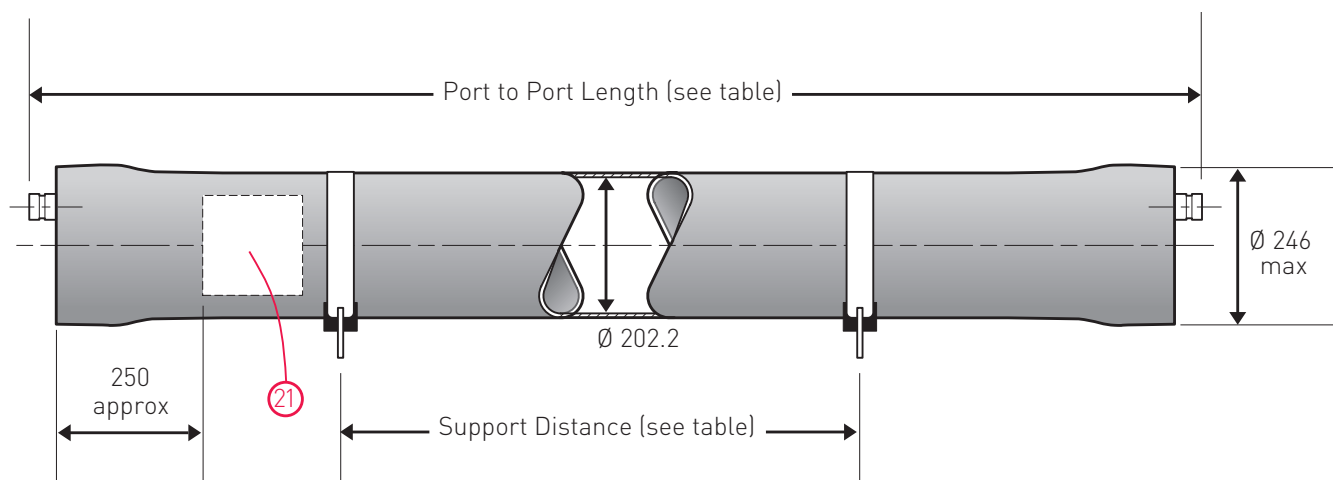


**8" End Port Pressure Vessel 450 psi (31.05 bar)**

**ORDER REFERENCE**  
See Box Below



3032

**Working Pressure:** 450 psi

**Working Temperature:** -7° to 45°C

**Assembly Drawing:** 1MNC 3032

Does not conform to ASME X

Body of vessel is manufactured completely from glass reinforced epoxy resins. Pressure vessels can be produced to cover all leading manufacturers membranes regardless of length. Please advise membrane type and length when requesting further details. Please adhere to recommended support positions, if in doubt contact Phoenix Vessel Technology.

**Feed and concentrate connections:** 1.5" Victualic.    **Product connections:** 1.0" BSP Parallel (Female)

Order Reference	No of 40" Elements	Port to Port Length +/-7mm	2 Supports Max/Min	3 Supports Max/Min	Max Dry Weight
8E450N.1	1	1566	1100 700	- -	25 kg
8E450N.1.5	1.5	2064	1400 1000	- -	30 kg
8E450N.2	2	2572	1700 1300	- -	35 kg
8E450N.3	3	3588	2400 1800	2400 1800	45 kg
8E450N.4	4	4604	2950 2450	3250 2450	55 kg
8E450N.4.5	4.5	5112	3200 2800	3700 2800	60 kg
8E450N.5	5	5620	3450 3150	4150 3150	66 kg
8E450N.6	6	6636	4000 3800	5000 3800	76 kg
8E450N.7	7	7652	- -	5850 4850	86 kg
8E450N.7.5	7.5	8160	- -	6200 5350	92 kg

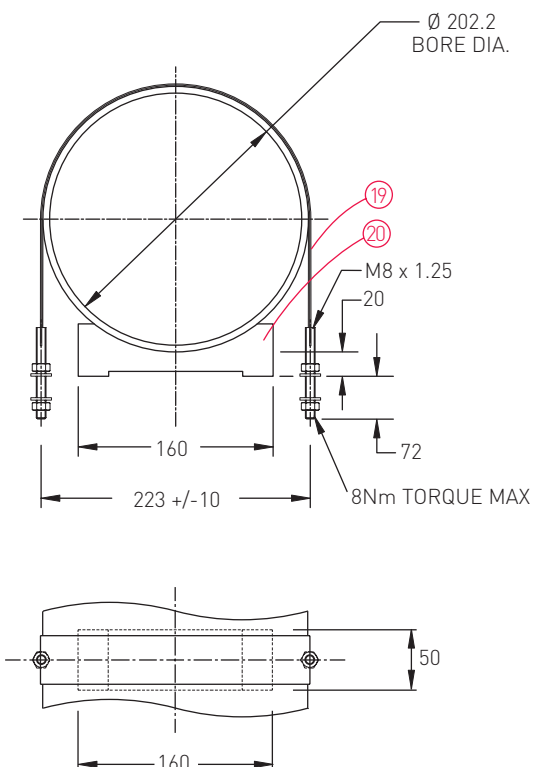
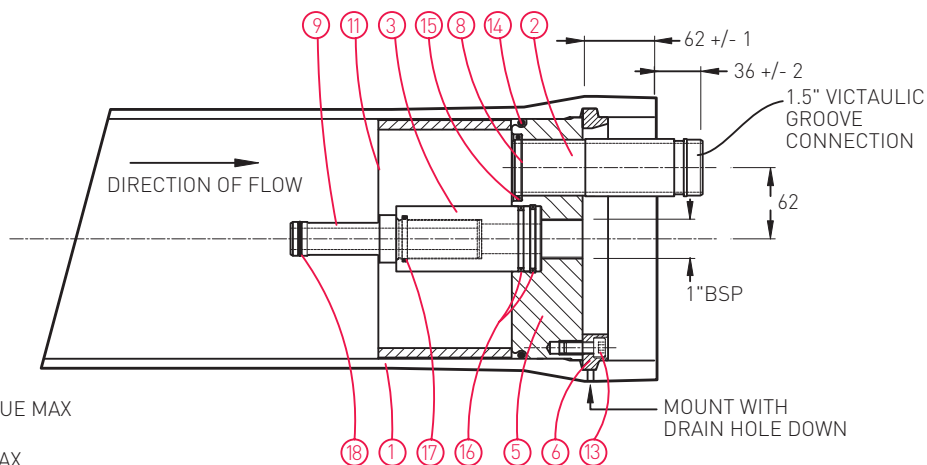
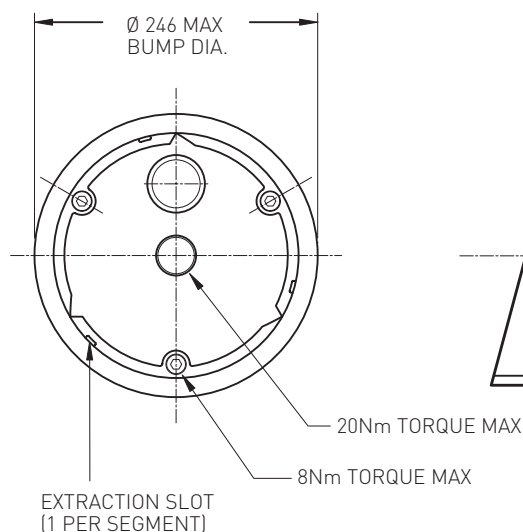
All dimensions in mm.  
All dimensions and weights are nominal unless stated otherwise.

This data sheet supersedes all previous issues.  
Product Code: 8E450N 09/06

## 8" End Port Pressure Vessel 450 psi (31.05 bar)

**ORDER REFERENCE**

See Overleaf



Item	Description	Material	Part No.	No. off
1	Vessel Body	Glass Fibre Epoxy Resin	BDY 3112	1
2	Feed/Concentrate Port	St. Steel - 316	CMP 2476	2
3	Hub	Thermoplastic	CMP 1550	2
4				
5	End Cap	Thermoplastic	CMP 2884	2
6	Retaining Ring Segment	St. Steel 316	CMP 1469	6
7				
8	Spiroloc Circlip	St. Steel 302	CMP 3062	2
9	Adaptor	Thermoplastic	To suit membrane	2
9a	Adaptor Spacer Shims	Thermoplastic	CMP 1674	8
10				
11	Thrust Ring	Thermoplastic	CMP 1228	1
12				
13	Cap Head Screw	St. Steel A4	CMP 1520	6
14	'O' Seal End cap	EPDM	BS882	2
15	'O' Seal Feed/End Cap	EPDM	BS327	2
16	'O' Seal Hub/End Cap	EPDM	BS225	4
17	'O' Seal Prod/Adaptor	EPDM	BS219	2
18	'O' Seal Adaptor	EPDM	To suit membrane	2/4
19	Strap	St. Steel/Neoprene	CMP 1211	2/3
20	Saddle	Urethane	CMP 1075	2/3
21	Nameplate	Vinyl	Not Available	1

Tighten all bolts/nuts to 50% of the maximum torque figure.

**DO NOT EXCEED THE MAXIMUM TORQUE.**

For lubricants and general assembly refer to the [User Guide](#) on our website.

The company reserves the right to alter specifications without prior notice.  
This data sheet supersedes all previous issues. Product Code: 8E450N 09/06