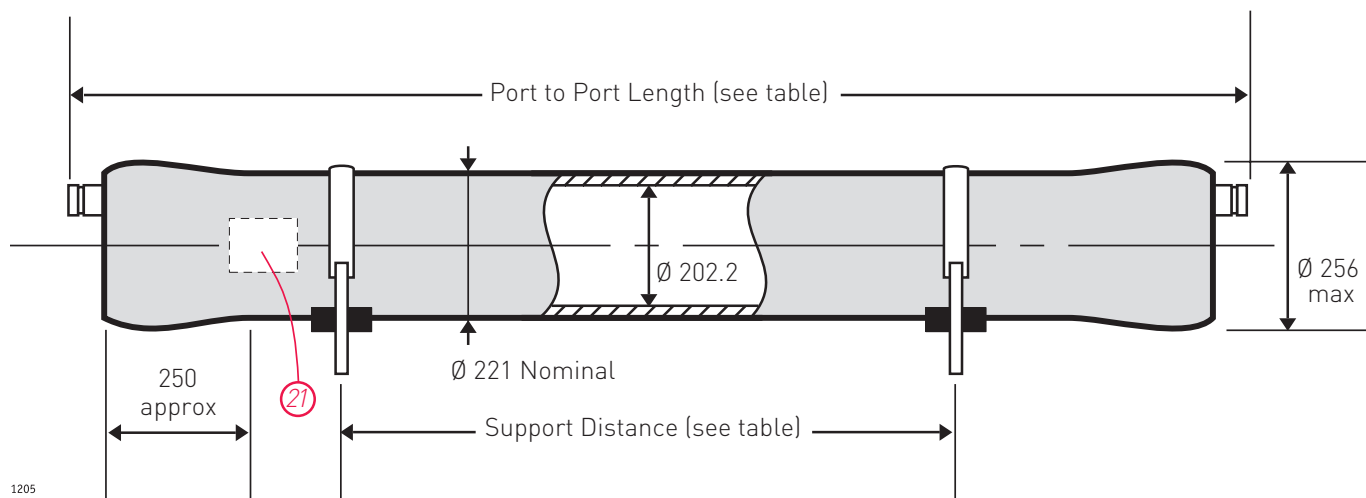


8" End Port Pressure Vessel 600 psi (41.4 bar)

ORDER REFERENCE
See Box Below



1205

Working Pressure: 600 psi
Assembly Drawing: 1MNC 1205

Working Temperature: -7° to 45°C
Design Code: ASME X

Body of vessel is manufactured completely from glass reinforced epoxy resins. Pressure vessels can be produced to cover all leading manufacturers membranes regardless of length. Please advise membrane type and length when requesting further details. Please adhere to recommended support positions, if in doubt contact Phoenix Vessel Technology.

Feed and concentrate connections: 1.5" Victualic. **Product connections:** 1.0" BSP Parallel (Male) or 1.0" NPT (Female)

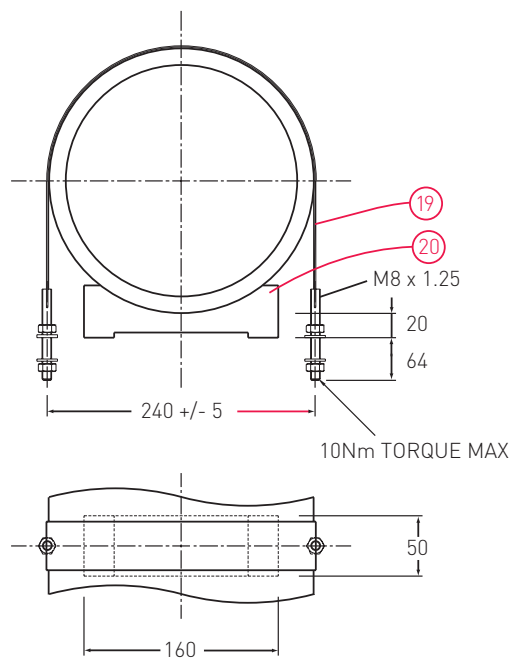
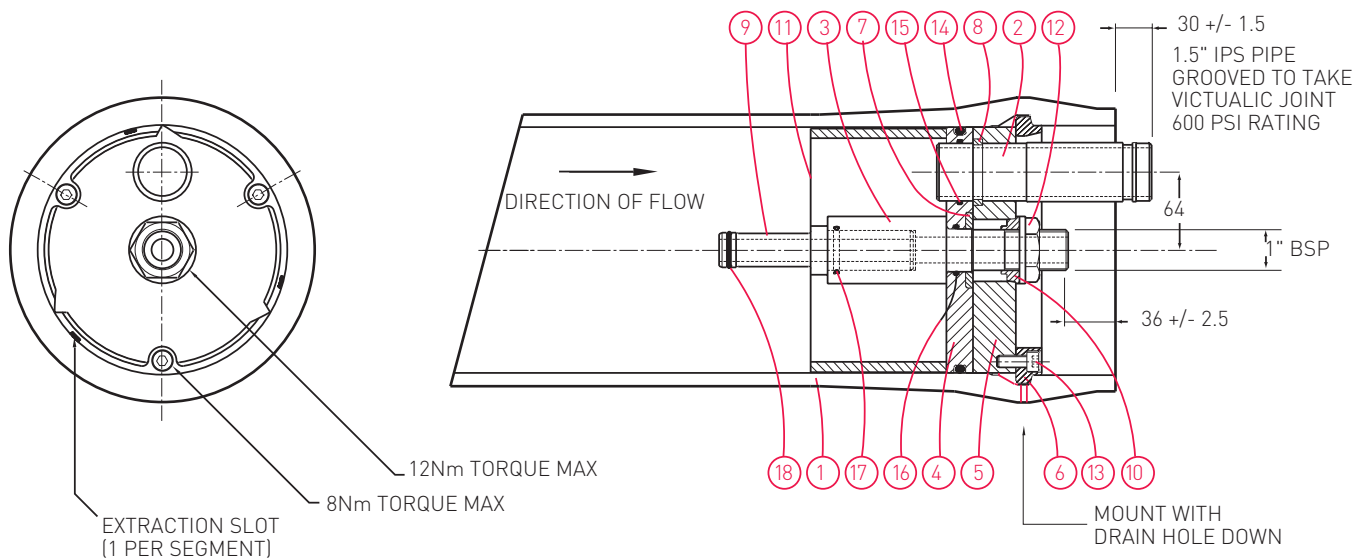
Order Reference	No of 40" Elements	Port to Port Length +/-7mm	Max Support Position	Min Support Position	Max Dry Weight
8E600X.1	1	1600	875	500	39 kg
8E600X.1.5	1.5	2108	1400	500	46 kg
8E600X.2	2	2616	1890	500	53 kg
8E600X.3	3	3632	2910	960	68 kg
8E600X.4	4	4648	3190	1970	83 kg
8E600X.4.5	4.5	5156	3375	2480	90 kg
8E600X.5	5	5664	3560	2990	97 kg
8E600X.6	6	6680	4020	4020	112 kg
8E600X.7	7	7696	6170 c	5090 c	127 kg
8E600X.7.5	7.5	8204	6220 c	5330 c	134 kg

All dimensions in mm.
All dimensions and weights are nominal unless stated otherwise.

This data sheet supersedes all previous issues.
Product Code: 8E600X 09/06

8" End Port Pressure Vessel 600 psi (41.4 bar)

ORDER REFERENCE
See Overleaf



Item	Description	Material	Part No.	No. off
1	Vessel Body	Glass Fibre Epoxy Resin	BDY 1220	1
2	Feed/Concentrate Port	St. Steel - 316L	CMP 1183	2
3	Product Port	Thermoplastic	CMP 1945	2
4	End Plate	Thermoplastic	CMP 1952	2
5	Backing Plate	Anodised Aluminium	CMP 1635	2
6	Retaining Ring Segment	St. Steel 316	CMP 1469	6
7	Support Washer	St. Steel 316	CMP 1888	2
8	Retaining Ring (Port)	St. Steel 316	CMP 1176	2
9	Adaptor	Thermoplastic	To suit membrane	2
10	Anti-rotation Collet	Thermoplastic	CMP 1892	2
11	Thrust Ring	Thermoplastic	CMP 1228	1
12	1" BSP Backnut	Thermoplastic	CMP 1179	2
13	Cap Head Screw	St. Steel Grade A4	CMP 1520	6
14	'O' Seal Endplate	EPDM	BS882	2
15	'O' Seal Feed Port	EPDM	BS225	2
16	'O' Seal Prod/Endplate	EPDM	BS220	2
17	'O' Seal Prod/Adaptor	EPDM	BS219	2
18	'O' Seal Adaptor	EPDM	To suit membrane	2/4
19	Strap	St. Steel/Neoprene	CMP 1211	2/3
20	Saddle	Urethane	CMP 1075	2/3
21	Nameplate	Aluminium or Vinyl	Not Available	1

Tighten all bolts/nuts to 50% of the maximum torque figure.
DO NOT EXCEED THE MAXIMUM TORQUE.

For lubricants and general assembly refer to the [User Guide on our website](#).

The company reserves the right to alter specifications without prior notice.
This data sheet supersedes all previous issues.
Product Code: 8E600X 09/06