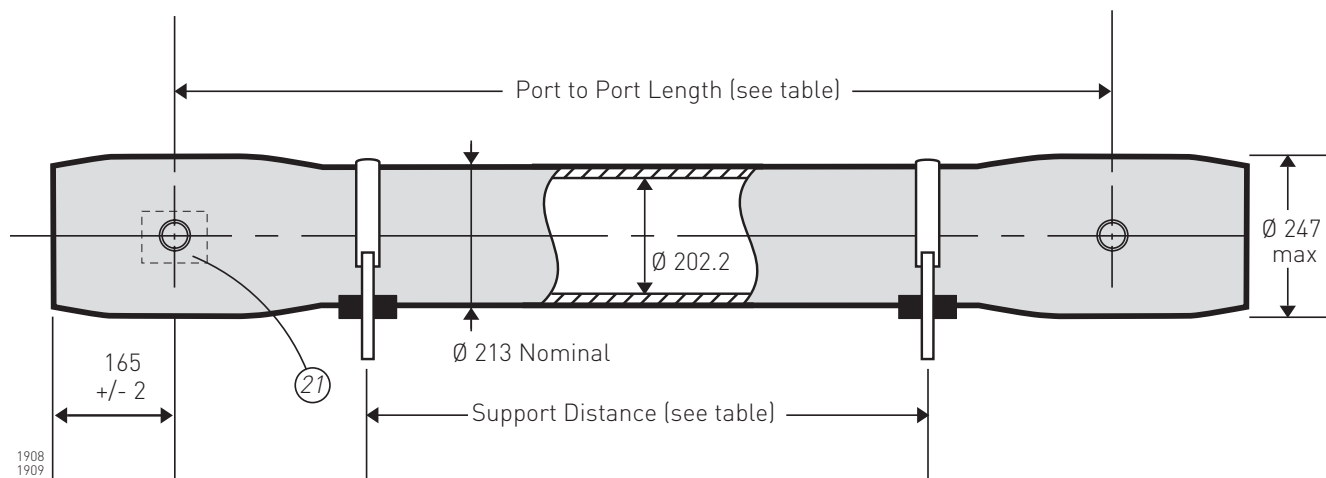


8" Side Port Pressure Vessel 175 psi (12.1 bar)

ORDER REFERENCE
See Box Below



Working Pressure: 175 psi

Working Temperature: -7 to 45°C

Assembly Drawing: 1MNC 1909

Does not conform to ASME X

Body of vessel is manufactured completely from glass reinforced epoxy resins. Pressure vessels can be produced to cover all leading manufacturers membranes regardless of length. Please advise membrane type and length when requesting further details. Please adhere to recommended support positions, if in doubt contact Phoenix Vessel Technology.

Feed and concentrate connections: 1.5" or 2.0" Victualic (For option see reverse)

Product connections: 1.0" BSPT or NPT (Female)

Order Reference	No of 40" Elements	Port to Port Length +/-1mm	Max Support Position	Min Support Position	Max Dry Weight
8S175N.1	1	1143	740	500	43 kg
8S175N.1.5	1.5	1651	1250	500	48 kg
8S175N.2	2	2159	1750	500	53 kg
8S175N.3	3	3175	2775	960	64 kg
8S175N.4	4	4191	3190	1970	75 kg
8S175N.4.5	4.5	4699	3375	2480	81 kg
8S175N.5	5	5207	3560	2990	86 kg
8S175N.6	6	6223	4020	4020	98 kg
8S175N.7	7	7239	6170 c	5090 c	109 kg
8S175N.7.5	7.5	7747	6220 c	5330 c	115 kg

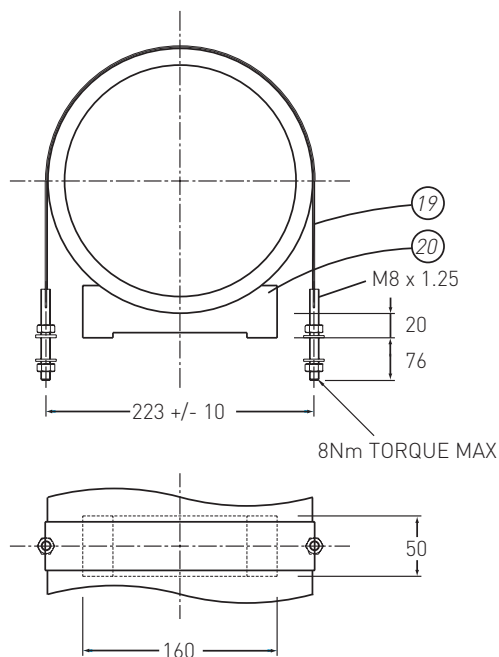
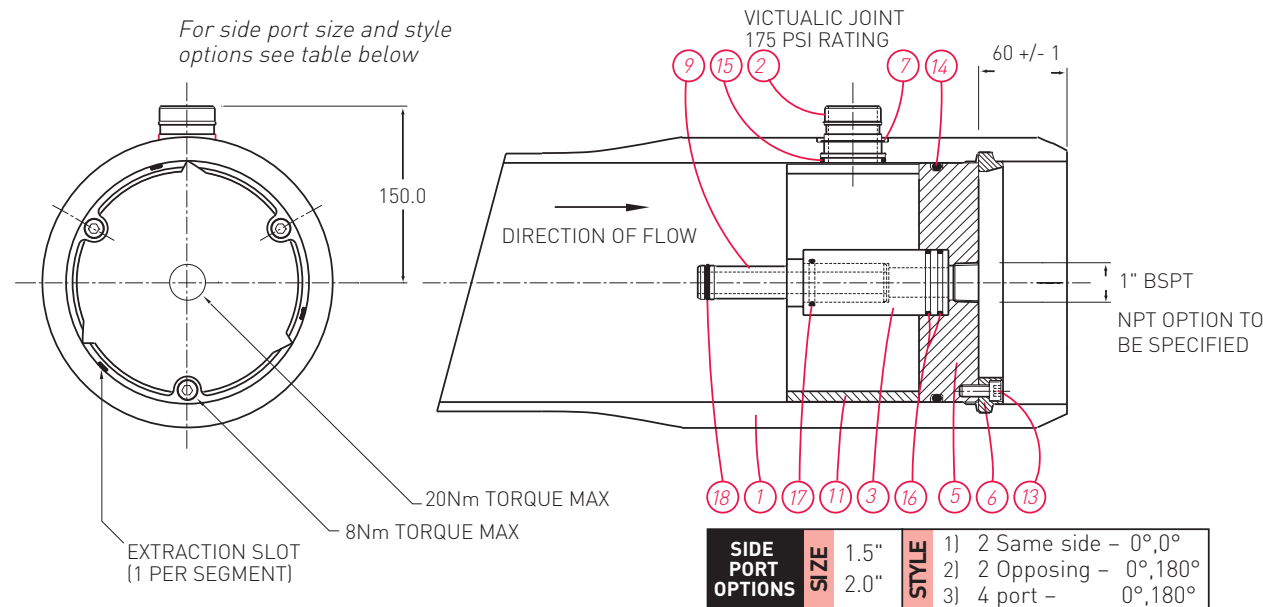
All dimensions in mm.
All dimensions and weights are nominal unless stated otherwise.

This data sheet supersedes all previous issues.
Product Code: 8S175N 09/06

8" Side Port Pressure Vessel 175 psi (12.1 bar)

ORDER REFERENCE

See Overleaf



Item	Description	Material	Part No.	No. off
1	Vessel Body	Glass Fibre Epoxy Resin	BDY 3138	1
2	Feed/Concentrate Port	St. Steel 316L 1.5" Port	CMP 1863	2/3/4
		St. Steel 316L 2.0" Port	CMP 1990	2/3/4
3	Hub	Thermoplastic	CMP 1550	2
4				
5	End Cap	Thermoplastic	CMP 1958 (BSPT) CMP 1959 (NPT)	2
6	Retaining Ring Segment	St. Steel 304	CMP 1886	6
7				
8	Spiroloc Circlip	St. Steel 316L 1.5" Port	CMP 1950	2/3/4
		St. Steel 316L 2.0" Port	CMP 2029	2/3/4
9	Adaptor	Thermoplastic	To suit membrane	2
10				
11	Thrust Ring	Thermoplastic	CMP 3069 ASSY	1
12				
13	Cap Head Screw	St. Steel Grade A4	CMP 1520	6
14	'O' Seal Endplate		BS882	2
15	'O' Seal Feed Port	EPDM 1.5" Port	BS225	2/3/4
		EPDM 2.0" Port	BS229	2/3/4
16	'O' Seal Hub/End Cap	EPDM	BS225	4
17	'O' Seal Prod/Adaptor	EPDM	BS219	2
18	'O' Seal Adaptor	EPDM	To suit membrane	2/4
19	Strap	St. Steel/Neoprene	CMP 1211	2/3
20	Saddle	Urethane	CMP 1075	2/3
21	Nameplate	Vinyl	Not Available	1

Tighten all bolts/nuts to 50% of the maximum torque figure.

DO NOT EXCEED THE MAXIMUM TORQUE.

For lubricants and general assembly refer to the [User Guide on our website](#).

The company reserves the right to alter specifications without prior notice.
This data sheet supersedes all previous issues. Product Code: 8S175N 09/06