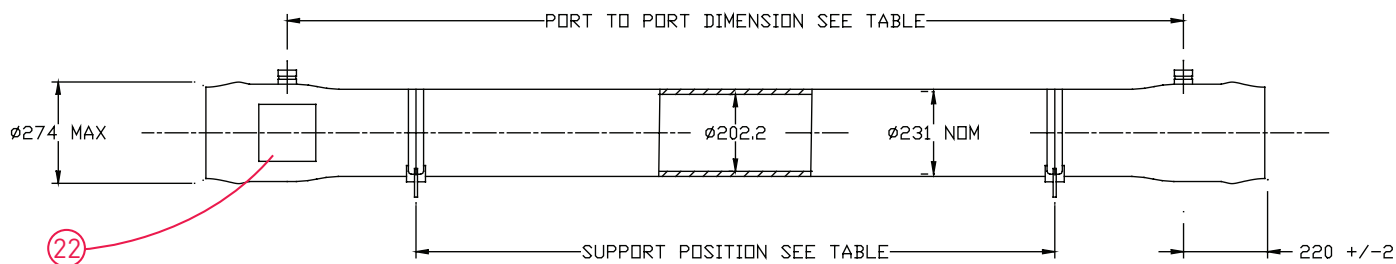


8" Side Port Pressure Vessel 1000 psi (69.0 bar)

ORDER REFERENCE
See Box Below



Working Pressure: 1000 psi
Assembly Drawing: 1MNC 2206

Working Temperature: -7° to 45°C
Design Code: ASME X

Body of vessel is manufactured completely from glass reinforced epoxy resins. Pressure vessels can be produced to cover all leading manufacturers membranes regardless of length. Please advise membrane type and length when requesting further details. Please adhere to recommended support positions, if in doubt contact Phoenix Vessel Technology.

Feed and concentrate connections: 1.5" Victualic.

Product connections: 1.0" BSP Parallel (Male).

Order Reference	No of 40" Elements	Port to Port Length +/-1mm	Max Support Position	Min Support Position	Max Dry Weight
8S1000X.1	1	1143	650	500	65 kg
8S1000X.1.5	1.5	1651	1150	500	75 kg
8S1000X.2	2	2159	1650	500	85 kg
8S1000X.3	3	3175	2680	960	105 kg
8S1000X.4	4	4191	3190	1970	124 kg
8S1000X.4.5	4.5	4699	3375	2480	134 kg
8S1000X.5	5	5207	3560	2990	144 kg
8S1000X.6	6	6223	4020	4020	163 kg
8S1000X.7	7	7239	6170 c	5090 c	183 kg
8S1000X.7.5	7.5	7747	6220 c	5330 c	193 kg

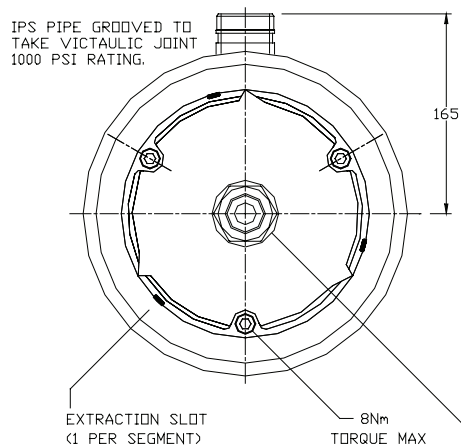
All dimensions in mm. c = Central support required.
All dimensions and weights are nominal unless stated otherwise.

This data sheet supersedes all previous issues.
Product Code: 8S1000X 09/06

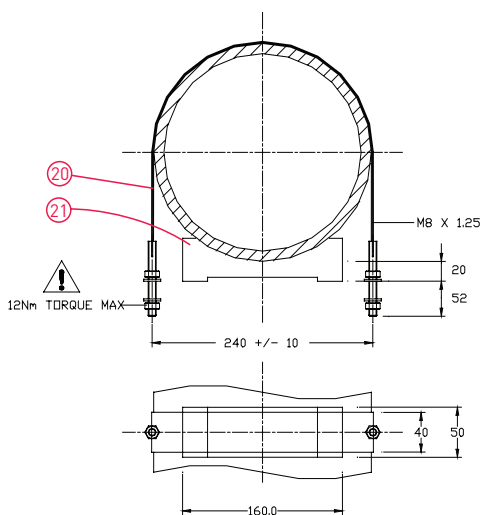
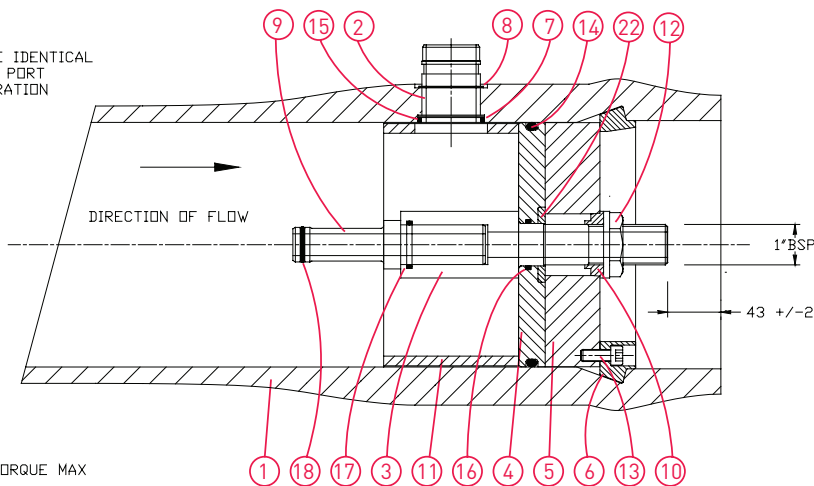
8" Side Port Pressure Vessel 1000 psi (69.0 bar)

ORDER REFERENCE

See Overleaf



DISTANCE IDENTICAL FOR ALL PORT CONFIGURATION



Item	Description	Material	Part No.	No. off
1	Vessel Body	Glass Fibre Epoxy Resin	BDY 2215	1
2	Feed/Concentrate Port	Duplex St. Steel 2507 1.5" Port Duplex St. Steel 2507 2.0" Port	CMP 2490 CMP 3254	2/4 2/4
3	Product Port	Thermoplastic	CMP 1946	2
4	End Plate	Thermoplastic	CMP 1947	2
5	Backing Plate	Anodised Aluminium	CMP 2302	2
6	Retaining Ring Segment	St. Steel 316 1.5" Port St. Steel 302 2.0" Port	CMP 1470	6
7	Port Circlip Internal	St. Steel 316 1.5" Port St. Steel 302 2.0" Port	CMP 2556 CMP 2555	2/4 2/4
8	Port Circlip External	St. Steel 316 1.5" Port St. Steel 302 2.0" Port	CMP 2148 CMP 2029	2/4 2/4
9	Adaptor	Thermoplastic	To suit membrane	2
10	Anti-rotation Collet	Thermoplastic	CMP 1892	2
11	Thrust Ring	Thermoplastic	CMP 3069 ASSY	1
12	1" BSP Backnut	Thermoplastic	CMP 1179	2
13	Cap Head Screw	St. Steel Grade A4	CMP 1520	6
14	'O' Seal Endplate	EPDM	BS882	2
15	'O' Seal Feed Port	EPDM 1.5" Port EPDM 2.0" Port	BS327 BS331	2/4 2/4
16	'O' Seal Hub/Endplate	EPDM	BS220	2
17	'O' Seal Prod/Adaptor	EPDM	BS219	2
18	'O' Seal Adaptor	EPDM	To suit membrane	2/4
19	Strap	St. Steel/Neoprene	CMP 1836	2/3
20	Saddle	Urethane	CMP 1075	2/3
21	Nameplate	Aluminium or Vinyl	Not Available	1
22	Support Washer	St. Steel 316	CMP 1888	2

Tighten all bolts/nuts to 50% of the maximum torque figure.
DO NOT EXCEED THE MAXIMUM TORQUE.

For lubricants and general assembly refer to the [User Guide on our website](#).

The company reserves the right to alter specifications without prior notice.
This data sheet supersedes all previous issues. Product Code: 8S1000X 09/06