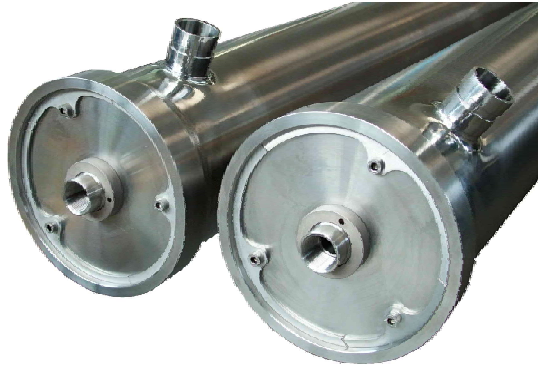
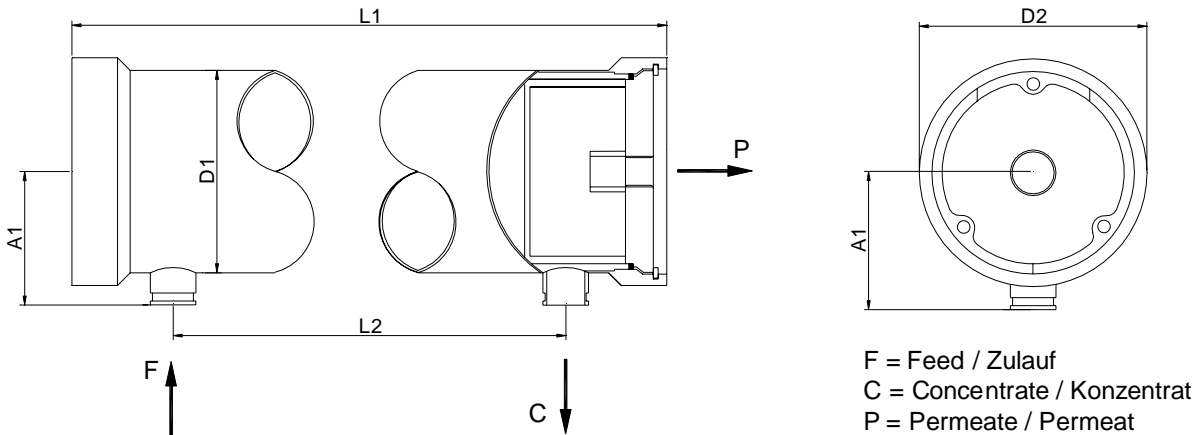


PRESSURE VESSEL / stainless steel

PVS- 8040 - x - 400 - SP - VC



- Pressure Range: up to 27,6 bar / 400 psi
- Temperature Range: up to 85°C
- for all membrane elements
- on request with quality certification
- Material 316L / 1.4404
- including all necessary seals (EPDM) and internal adapters
- on request up to 4 side-port connections possible



Scope of supply:

for Pressure Vessels: <= 4 Elements incl. 2 Saddles and 2 Straps
 for Pressure Vessels >= 5 Elements incl. 3 Saddles and 3 Straps

D₁ = 219 mm
 D₂ = 245 mm
 A₁ = 130 mm

including 3 pcs PC-Clamps, 3 pcs TC-Counterparts, 3 pcs TC-Seals

Art. No	Type	Elemente per VA	Length L ₁ in mm	Length L ₂ in mm	Feed connection	Concentrate Connection	Permeate connection	Material
435 201	PVS-8040-1-400 - SP - VC	1	2285	100	1 1/2"-Vict.	1 1/2"-Vict.	1"- BSP F	316L
435 211	PVS-8040-2-400 - SP - VC	2	2305	2125	1 1/2"-Vict.	1 1/2"-Vict.	1"- BSP F	316L
435 221	PVS-8040-3-400 - SP - VC	3	3320	3140	1 1/2"-Vict.	1 1/2"-Vict.	1"- BSP F	316L
435 231	PVS-8040-4-400 - SP - VC	4	4340	4160	1 1/2"-Vict.	1 1/2"-Vict.	1"- BSP F	316L
435 241	PVS-8040-5-400 - SP - VC	5	5355	5175	1 1/2"-Vict.	1 1/2"-Vict.	1"- BSP F	316L

Pressure Vessel: polished inside, on the outside fine sharpened, Material stainless steel 316L (1.4571)

Head Material: 316L (1.4571)

Headfixing: spring washers, stainless steel

Port-Positions

- Standard: 2 Connections 0°, 0°
- Option 1: 2 Connections 0°, 180°
- Option 2: 4 Connections 0°, 180°, 0°, 180°

