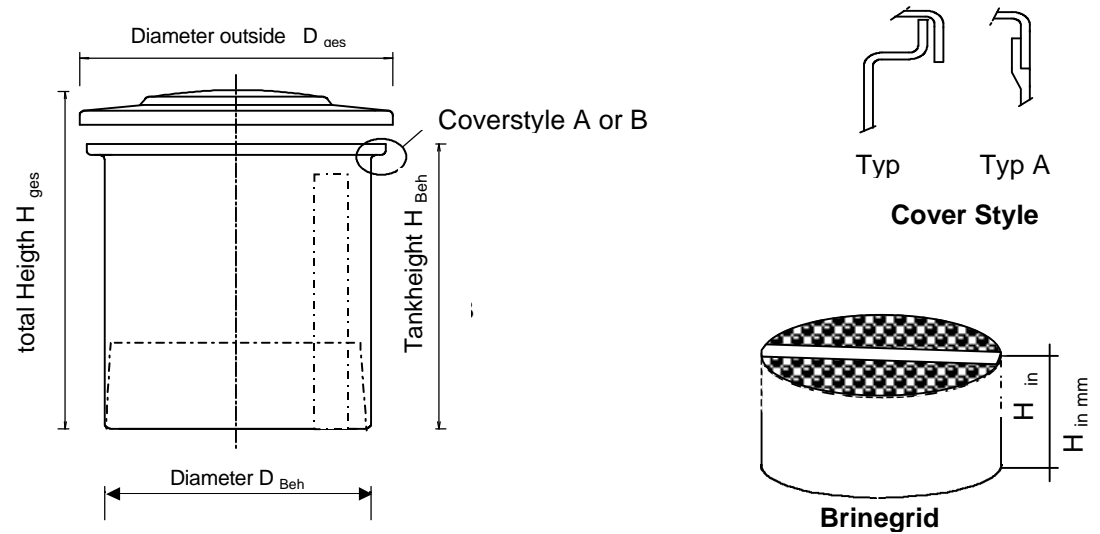


BRINETANK with Cover and Brinegrid and Riserpipes



Material	PE
Thickness	Type A 2 - 3 mm Type B 4 - 5 mm
Colour	white
Gridwholes	5 or 3 mm on request

Tank type	style	saltvolume kg	Volume Liter	Diameter		Height		Brinewell D in mm
				D _{ges}	D _{Beh}	H _{ges}	H _{Beh}	
SBD 80	A	90	100	458	458	628	588	98
SBD 110	A	110	130	462	462	800	760	100
SBD 200	A	200	230	555	555	980	935	100
SBD 400	B	415	460	830	750	1160	1040	100
SBD 500	B	490	540	1005	900	900	855	160
SBD 750	B	700	780	995	900	1310	1230	160
SBD 1000	B	1020	1120	1090	1040	1335	1325	160
SBD 1500	B	1520	1660	1280	1200	1570	1465	160
SBD 1700	B	1680	1830	1260	1200	1695	1620	160

for MONEX plants	
Art.Nr.	gridheight H
480 110	190
480 120	240
480 130	300
480 150	320
480 160	270
480 170	390
480 180	400
480 190	400
480 200	440

for DUPLEX plants**	
Art.Nr.	gridheight H
480 115	310
480 125	400
480 135	500
480 155	550
480 165	450
480 175	650
480 185	700
480 195	750
480 205	850

* with two brine wells
 all dimensions in mm

Technical changes possible