

## DIMENSIONS CONTACT WATER METER

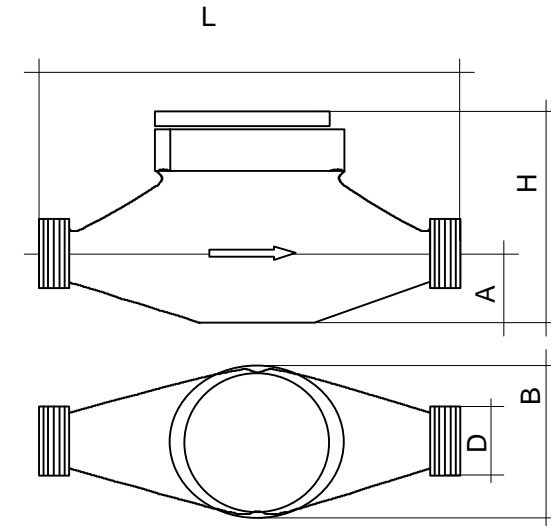
Type	Dimension	Length L	Height H	Height A	Width B	Connect.
		mm	mm	mm	mm	D

### Type KWZ - F Cold- and Hotwater with BSP thread connection

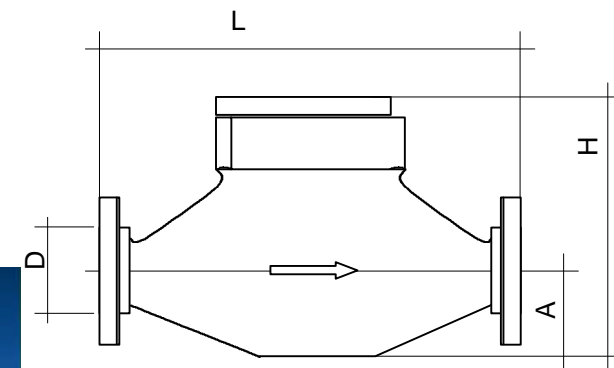
KWZ - F 1/2"	1/2"	110	105	35	96	3/4"
KWZ - F 3/4"	3/4"	130	105	35	96	1"
KWZ - F 1"	1"	260	120	40	100	1 1/4"
KWZ - F 1 1/4"	1 1/4"	260	120	40	100	1 1/2"
KWZ - F 1 1/2"	1 1/2"	300	130	60	136	2"
KWZ - F 2"	2"	300	140	70	136	2 1/2"

### Type KWZ - W wit Flangeconnection

KWZ -W 65	DN 65	200	209	83	x	DN 65
KWZ -W 80	DN 80	225	267	95	x	DN 80
KWZ -W100	DN 100	250	277	105	x	DN 100
KWZ -W125	DN 125	250	292	120	x	DN 125
KWZ -W150	DN 150	300	307	135	x	DN 150
KWZ -W200	DN 200	350	361	160	x	DN 200



Type KWZ - F



Type KWZ - W



Grösse 1/2" ; 3/4" und 1"

Grösse 1 1/4" ; 1 1/2" und 2"

Type KWZ - F Cold- and Hotwater



DN 50 - bis DN 200

Type KWZ - W Cold- and Hotwater ( incl. cover )

**INAQUA**  
Vertriebsgesellschaft mbH