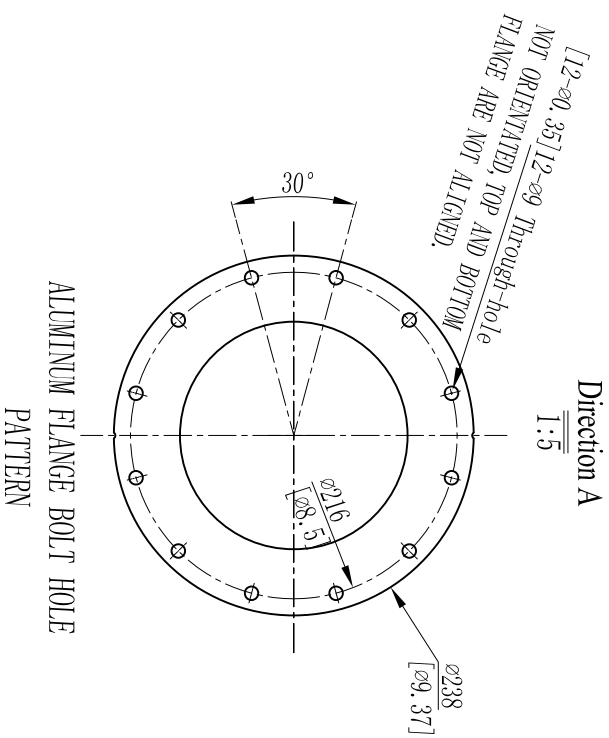


THIS DIMENSION CAN BE CHANGED WITH THE CUSTOMERS' REQUIREMENT



MODEL	VOLUME		DOME VOLUME		WEIGHT		
	liters	U.S. gal	liters	U.S. gal	kg	LBS	
30x72	704	186.00	24.88	72.07	19.03	2.55	
704	186.00	24.88	72.07	19.03	2.55	94.4	
							207.7

NOTES:

- TANK MUST MEET ALL APPLICABLE SPECIFICATIONS OF NSF/ANSI 044 STANDARD, LATEST REVISION.
- OPERATING SPECIFICATIONS:
  - MAXIMUM WORKING PRESSURE - 150 PSI (10.5BAR)
  - TEMPERATURE RANGE - 34-150° F (1-65°C)
  - MAXIMUM VACUUM - 5"Hg (127mm Hg)
- VISUAL LINER INSPECTION
  - NO MORE THAN 20 INTERNAL OR EXTERNAL BLEMISHES OR BURNT DEBRIS.
  - NO INTERNAL OR EXTERNAL BLEMISHES OR BURNT DEBRIS LARGER THAN 5x5mm.
  - NO INTERNAL BLEMISHES OR BURNT DEBRIS ALLOWED.
- ALL GLASS STRANDS FROM FIBERGLASS LINER TO BE BONDED AND COVERED.
- SURFACE TO BE FREE OF NICKS, SCRATCHES, RESIN AND GLASS.
- SURFACE FINISH.
- DIMENSIONS IN PARENTHESES ARE REFERENCE ONLY.
- DIMENSIONS IN SQUARE PARENTHESES ARE INCH UNIT.
- TANK TO BE BONDED TO BASE.
- USING A STANDARD LEVEL WITH TANK POSITIONED ON A LEVEL SURFACE, DATUM B TO BE PARALLEL WITH DATUM A. BUBBLE OF LEVEL MUST FALL COMPLETELY WITHIN LINES WHEN MEASURED AT 90° INTERVALS WHEN PLACED ON THE TOP OF THE FLANGE.
- AFTER THE TANK IS LEVELED, IT IS RECOMMENDED THAT THE TANK BE BOLTED TO THE FLOOR IN SIX POSITIONS PER THE TRIPOD BASE BOLT HOLE PATTERN WITH 3/8" ANCHORS.