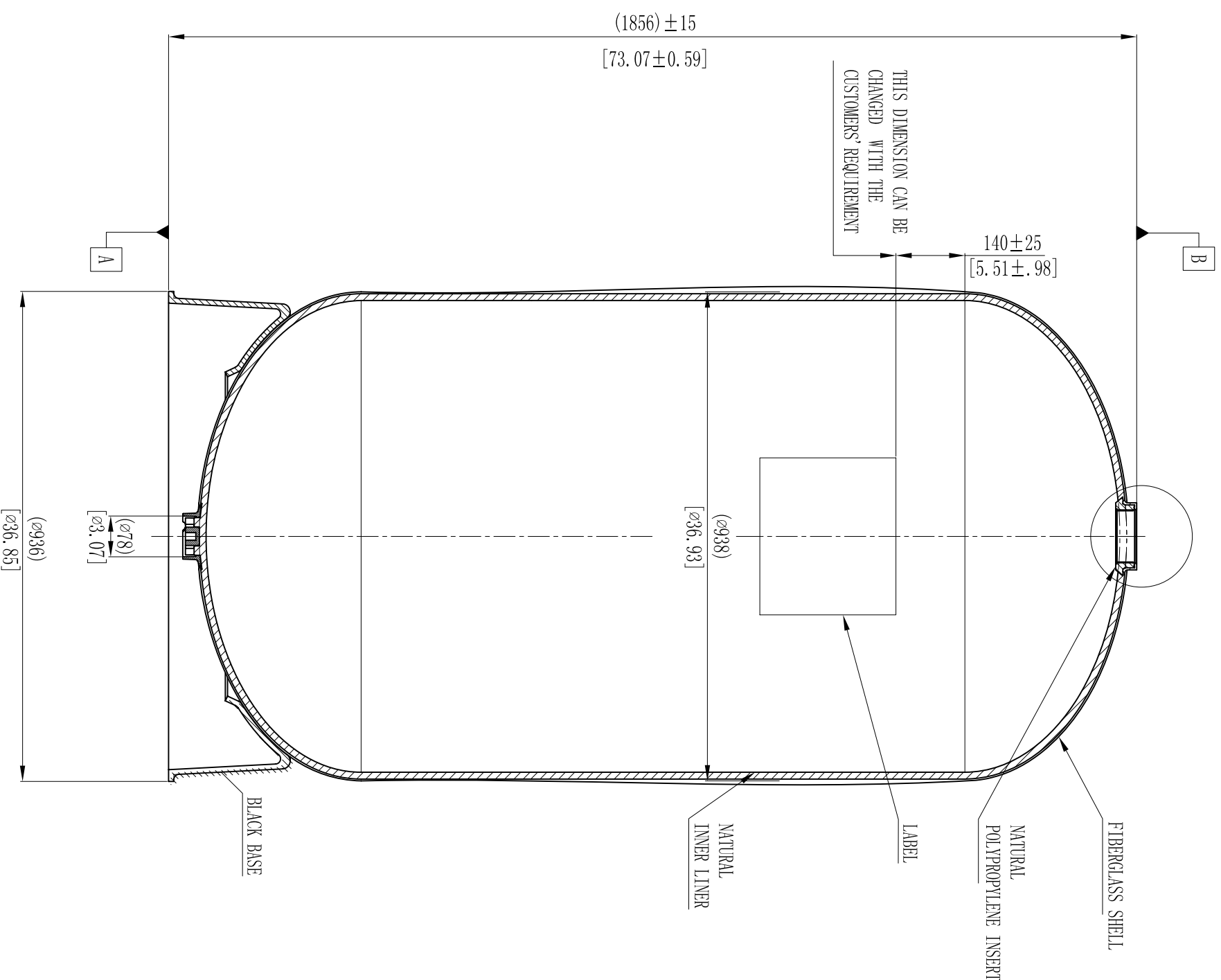
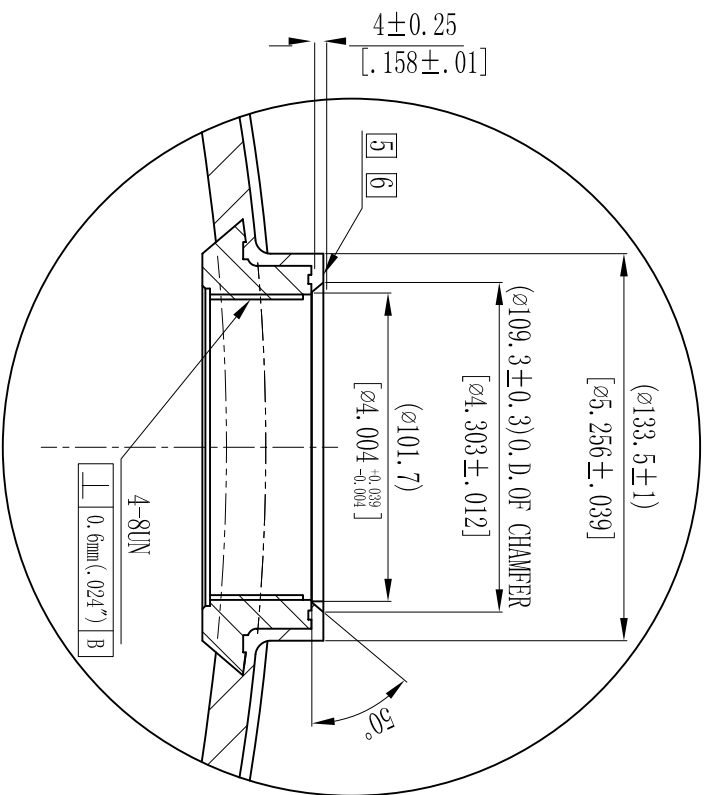


MODEL	VOLUME		DOME VOLUME		WEIGHT			
	Liters	U.S. gal	cubic FT	liters	U.S. gal	cubic FT	Kg	LBS
36x72	984	259.97	34.77	125.8	33.21	4.44	122.8	270.2

1:2.5



- NOTES:
- TANK MUST MEET ALL APPLICABLE SPECIFICATIONS OF NSF/ANSI 044 STANDARD, LATEST REVISION.
  - OPERATING SPECIFICATIONS:
    - A. MAXIMUM WORKING PRESSURE - 150 PSI (10.5BAR)
    - B. TEMPERATURE RANGE -  $34-120^\circ \text{ F}$  ( $1-49^\circ \text{ C}$ )
    - C. MAXIMUM VACUUM -  $5'' \text{ Hg}$  ( $127 \text{mm Hg}$ )
  - VISUAL LINER INSPECTION
    - A. NO MORE THAN 10 INTERNAL OR EXTERNAL BLEMISHES OR BURNT DEBRIS.
    - B. NO INTERNAL OR EXTERNAL BLEMISHES OR BURNT DEBRIS LARGER THAN  $3 \times 3 \text{mm}$ .
    - C. NO INTERNAL BLEMISHES OR BURNT DEBRIS ALLOWED.
  - ALL GLASS STRANDS FROM FIBERGLASS LINER TO BE BONDED AND COVERED.
  - SURFACE TO BE FREE OF NICKS, SCRATCHES, RESIN AND GLASS.
  - SURFACE FINISH.
  - DIMENSIONS IN PARENTHESES ARE REFERENCE ONLY.
  - DIMENSIONS IN SQUARE PARENTHESES ARE INCH UNITS.
  - TANK TO BE BONDED TO BASE.
  - USING A STANDARD LEVEL WITH TANK POSITIONED ON A LEVEL SURFACE, DATUM B TO BE PARALLEL WITH DATUM A. BUBBLE OF LEVEL MUST FALL COMPLETELY WITHIN LINES WHEN MEASURED AT  $90^\circ$  INTERVALS.