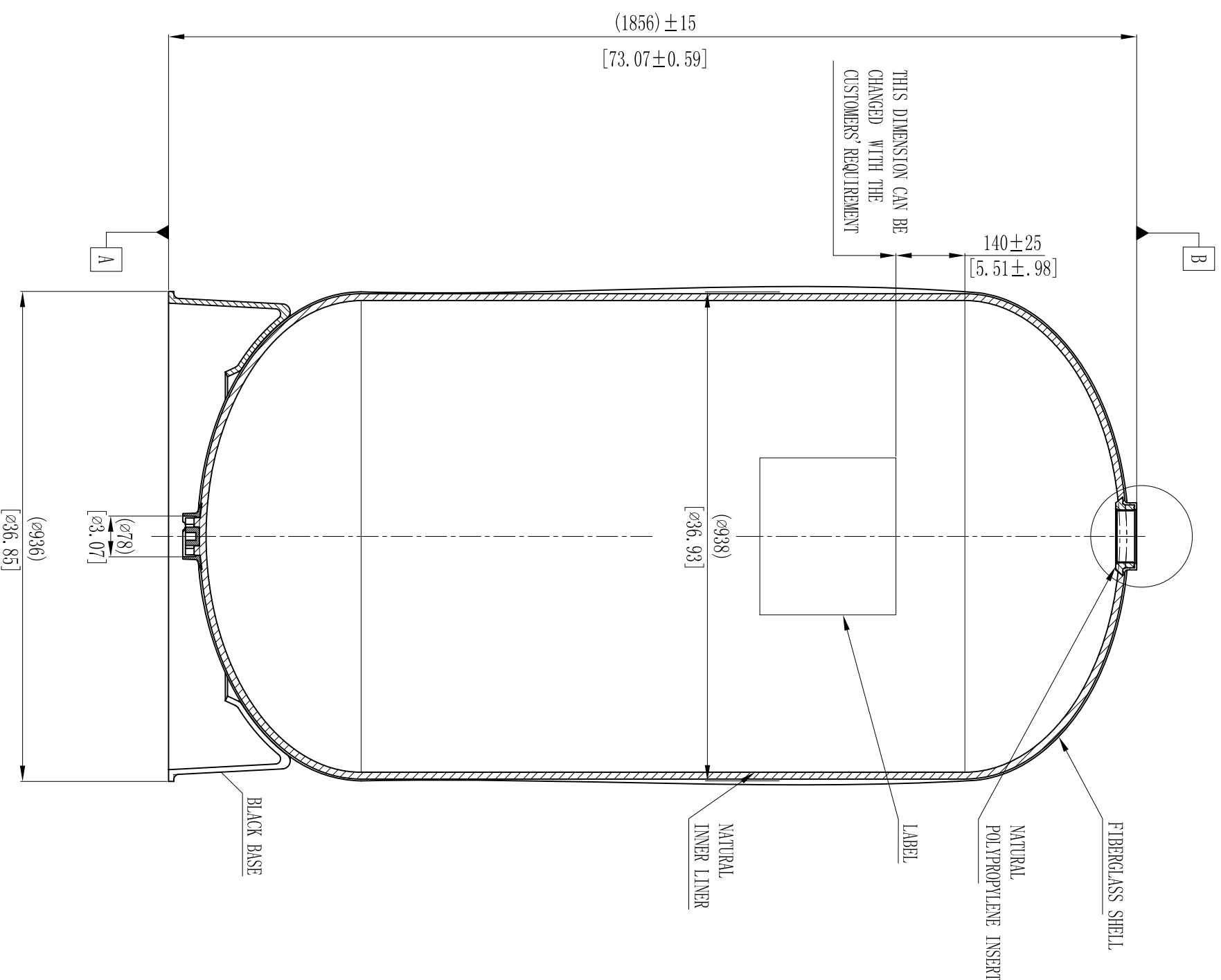
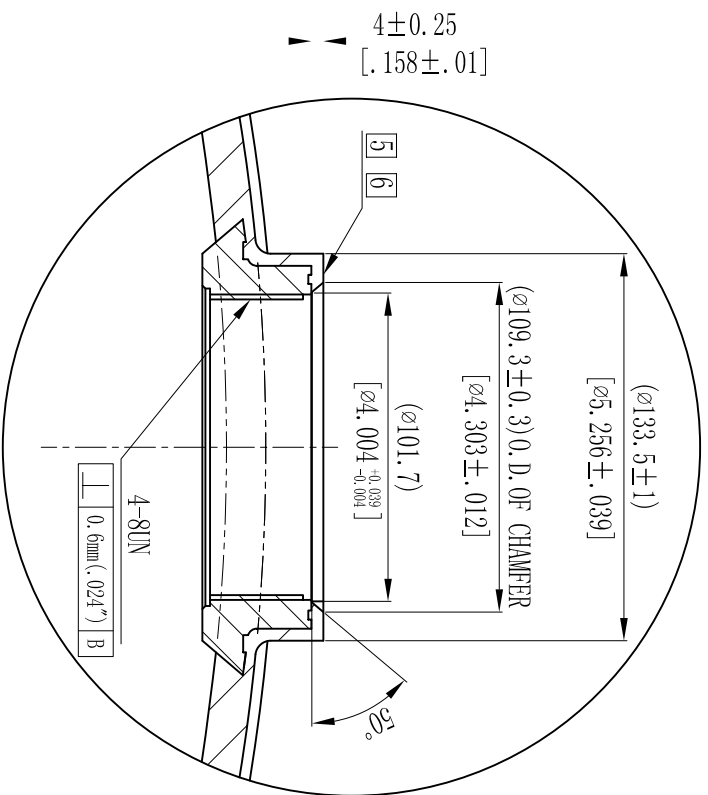


MODEL	VOLUME		DOME VOLUME		WEIGHT			
	Liters	U.S. gal	cubic FT	liters	U.S. gal	cubic FT	Kg	LBS
36x72	984	259.97	34.77	125.8	33.21	4.44	122.8	270.2

1:2.5



- NOTES:
- TANK MUST MEET ALL APPLICABLE SPECIFICATIONS OF NSF/ANSI 044 STANDARD, LATEST REVISION.
 - OPERATING SPECIFICATIONS:
 - A. MAXIMUM WORKING PRESSURE - 150 PSI (10.5BAR)
 - B. TEMPERATURE RANGE - 34-120° F (1-49°C)
 - C. MAXIMUM VACUUM - 5"Hg (127mm Hg)
 - VISUAL LINER INSPECTION
 - A. NO MORE THAN 10 INTERNAL OR EXTERNAL BLEMISHES OR BURNT DEBRIS.
 - B. NO INTERNAL OR EXTERNAL BLEMISHES OR BURNT DEBRIS LARGER THAN 3×3mm.
 - C. NO INTERNAL BLEMISHES OR BURNT DEBRIS ALLOWED.
 - ALL GLASS STRANDS FROM FIBERGLASS LINER TO BE BONDED AND COVERED.
 - SURFACE TO BE FREE OF NICKS, SCRATCHES, RESIN AND GLASS.
 - SURFACE FINISH.
 - DIMENSIONS IN PARENTHESES ARE REFERENCE ONLY.
 - DIMENSIONS IN SQUARE PARENTHESES ARE INCH UNITS.
 - TANK TO BE BONDED TO BASE.
 - USING A STANDARD LEVEL WITH TANK POSITIONED ON A LEVEL SURFACE, DATUM B TO BE PARALLEL WITH DATUM A. BUBBLE OF LEVEL MUST FALL COMPLETELY WITHIN LINES WHEN MEASURED AT 90° INTERVALS.