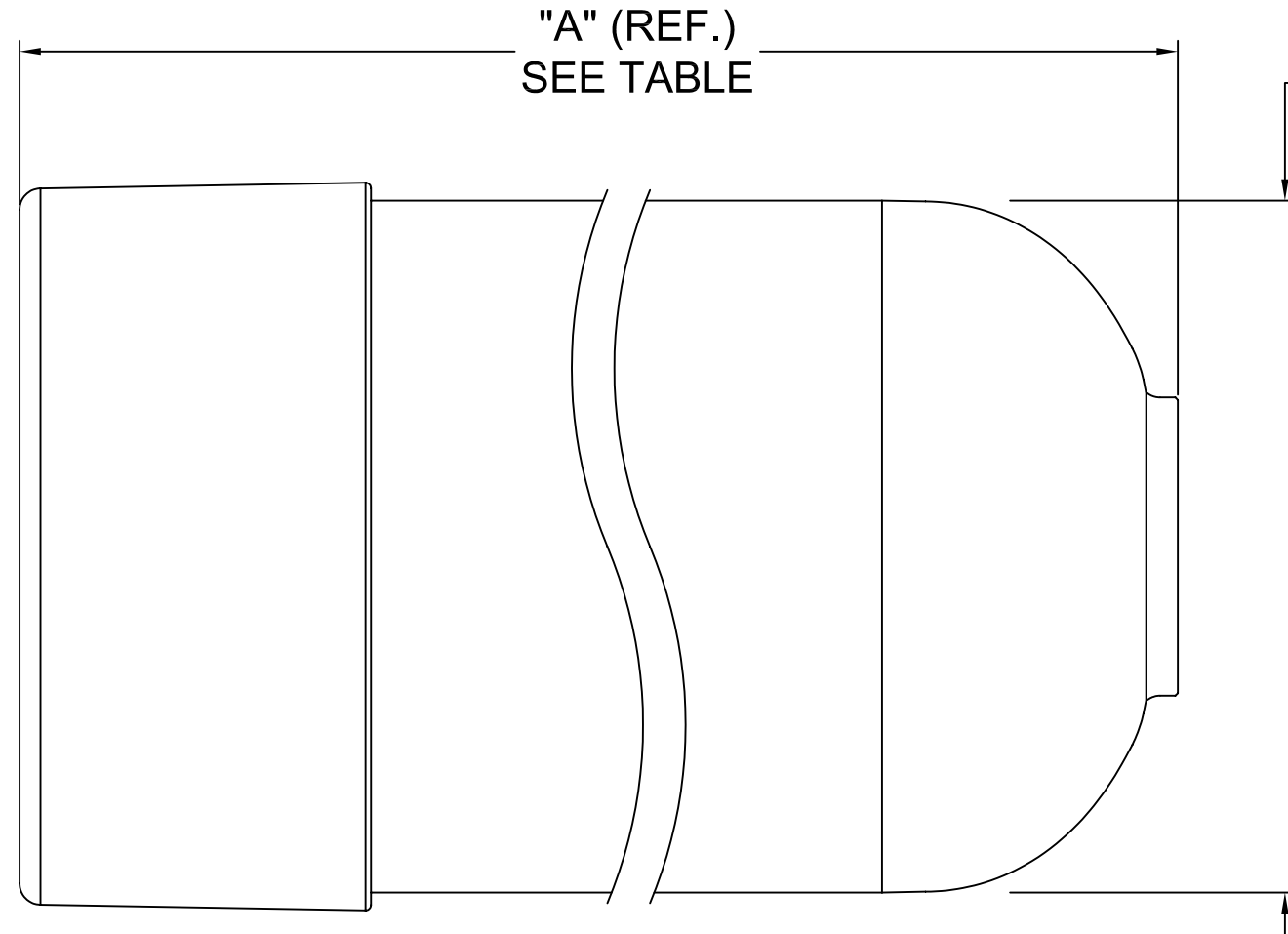
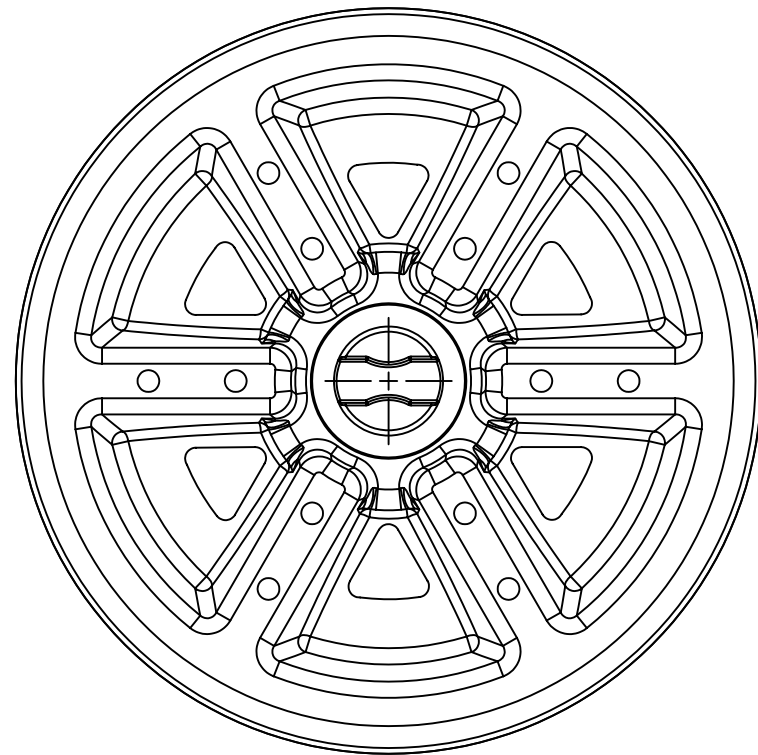


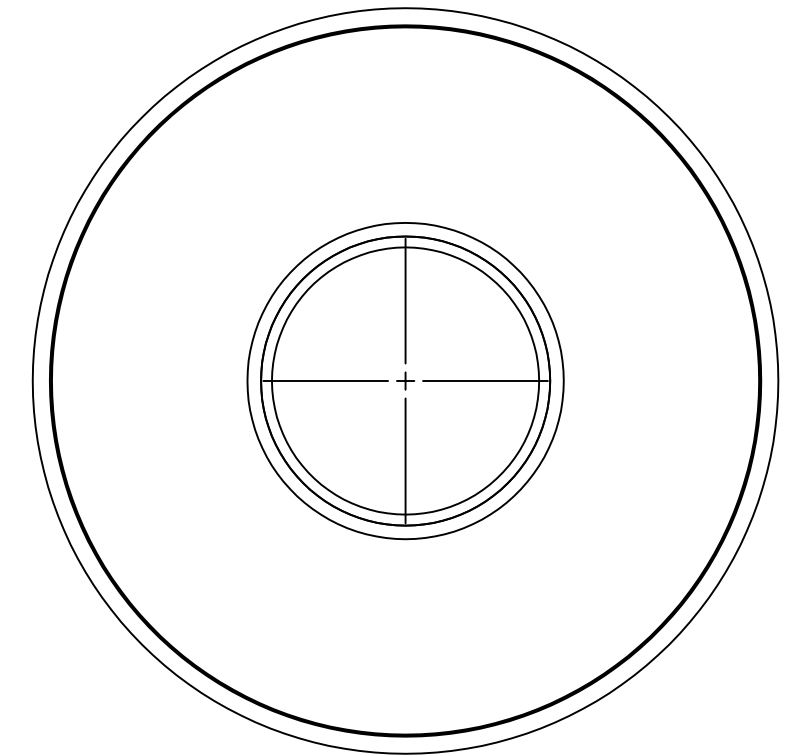
NOTES - UNLESS OTHERWISE SPECIFIED

REV	DESCRIPTION OF CHANGE	ECR NO.	DATE	BY
A	RELEASE TO SALES	N/A	08/20/04	DSS
B	ADDED SIZES	N/A	02/18/05	PWW
C	ADDED 13x65	N/A	12/14/05	DSS

1
2
3
4
5
6



Ø13.1 IN.
[Ø333 MM]



SIZE	"A"		VOLUME	
	INCH	MM	GAL.	LITER
13x35	35.1	892	17.5	66.2
13x44	44.4	1128	22.7	85.9
13x48	48.3	1227	24.9	94.3
13x54	54.3	1379	28.0	106.0
13x65	65.1	1654	34.0	128.7

ALL DIMENSIONS SHOWN ARE
FOR REFERENCE ONLY

ALL DIMENSIONS SUBJECT
TO CHANGE WITHOUT NOTICE

This is an original design creation. It is the exclusive property of ENPRESS LLC, which retains the right to estimate, produce, and/or reproduce it in whole or in any form. This work may not be utilized in any form or by any means electronic or mechanical, including photo-copying, recording, or by any information storage or retrieval system without permission from said company. If the presentation is not accepted, all sketches, designs, prototypes, etc. must be returned immediately to ENPRESS LLC

GENERAL TOLERANCES UNLESS NOTED		SALES DRAWING, TABULATED, 13 INCH WATER TREATMENT TANK WITH BASE, 2-1/2" - 8 NPSM INLET	
X .1	XX .01	XXX .005	ANGLES 1°
MATERIAL:		PART NAME:	
FINISH:		SALES DRAWING, TABULATED, 13 INCH WATER TREATMENT TANK WITH BASE, 2-1/2" - 8 NPSM INLET	
DRAWN BY:	DATE:	SIZE:	PART NO.:
DSS	08/20/04	D	SK-0594
CHECKED BY:	DATE:	DRAWING NO.:	FILE NO.:
		SK-0594 3	SK-0594_3.DWG
APPROVED BY:	DATE:	SCALE:	SHEET:
		1:1	1/1

